

Our company offers:

- monoaxel and two axel header trailers New Holland, Case IH and other;
- European quality provide Italian components;
- always best price;
- guarantee job of header trailer for 12 months ;
- service life the header trailer 10 years;
- wide range of service;

Highest quality
equipment

at the best price!

VOLLAND



VOLLAND

45000, Volyn region,
Kovel, st. Volodymyrska, 154 A
Tel. (067) 334 12 85;
(03352) 55 166, fax (03352) 47 477;
e-mail: info@volland.com.ua
www.volland.com.ua

VOLLAND

Header trailers
model VL20, VL25,
VL30

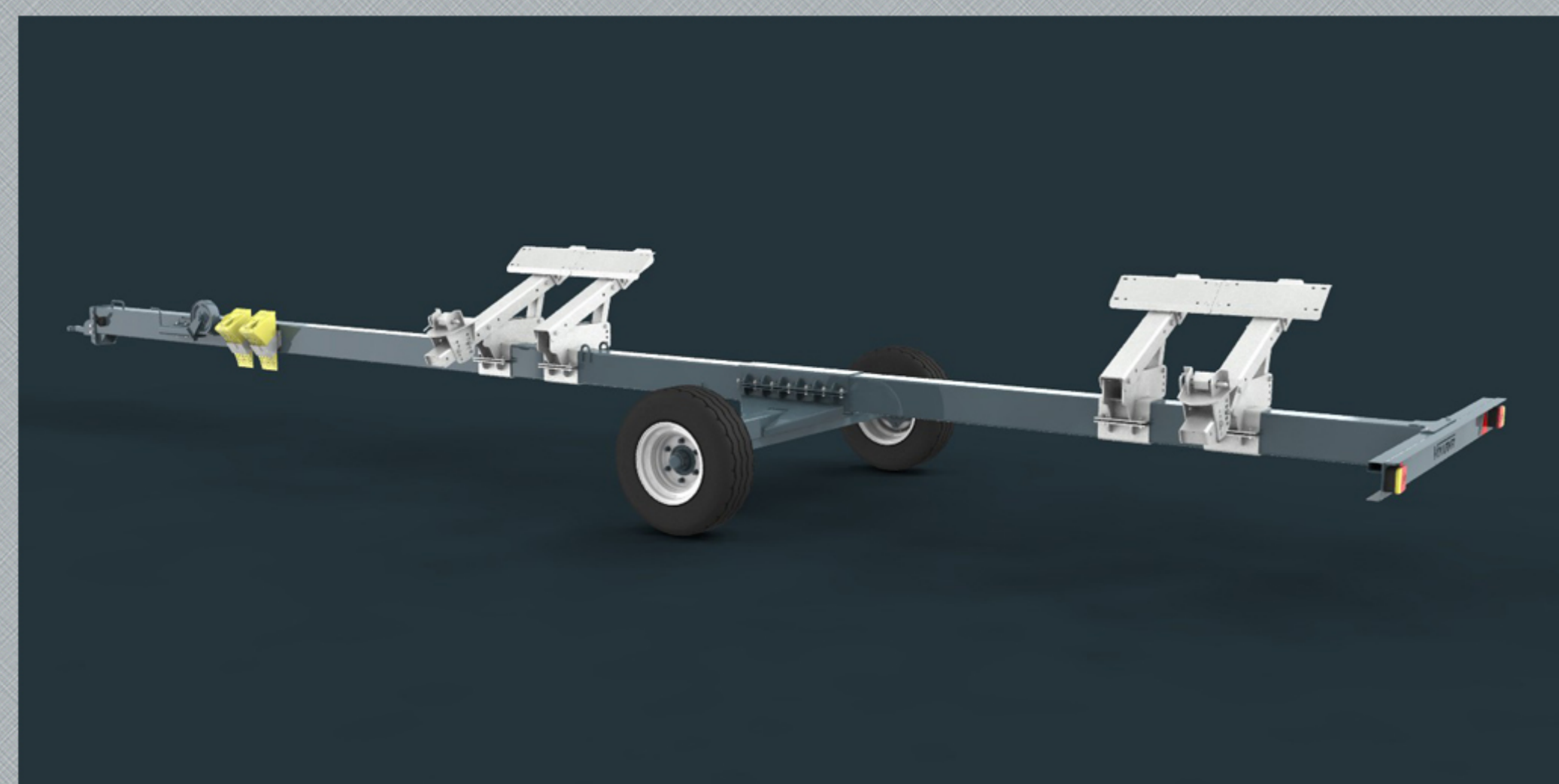




Header trailers monoaxle VL20



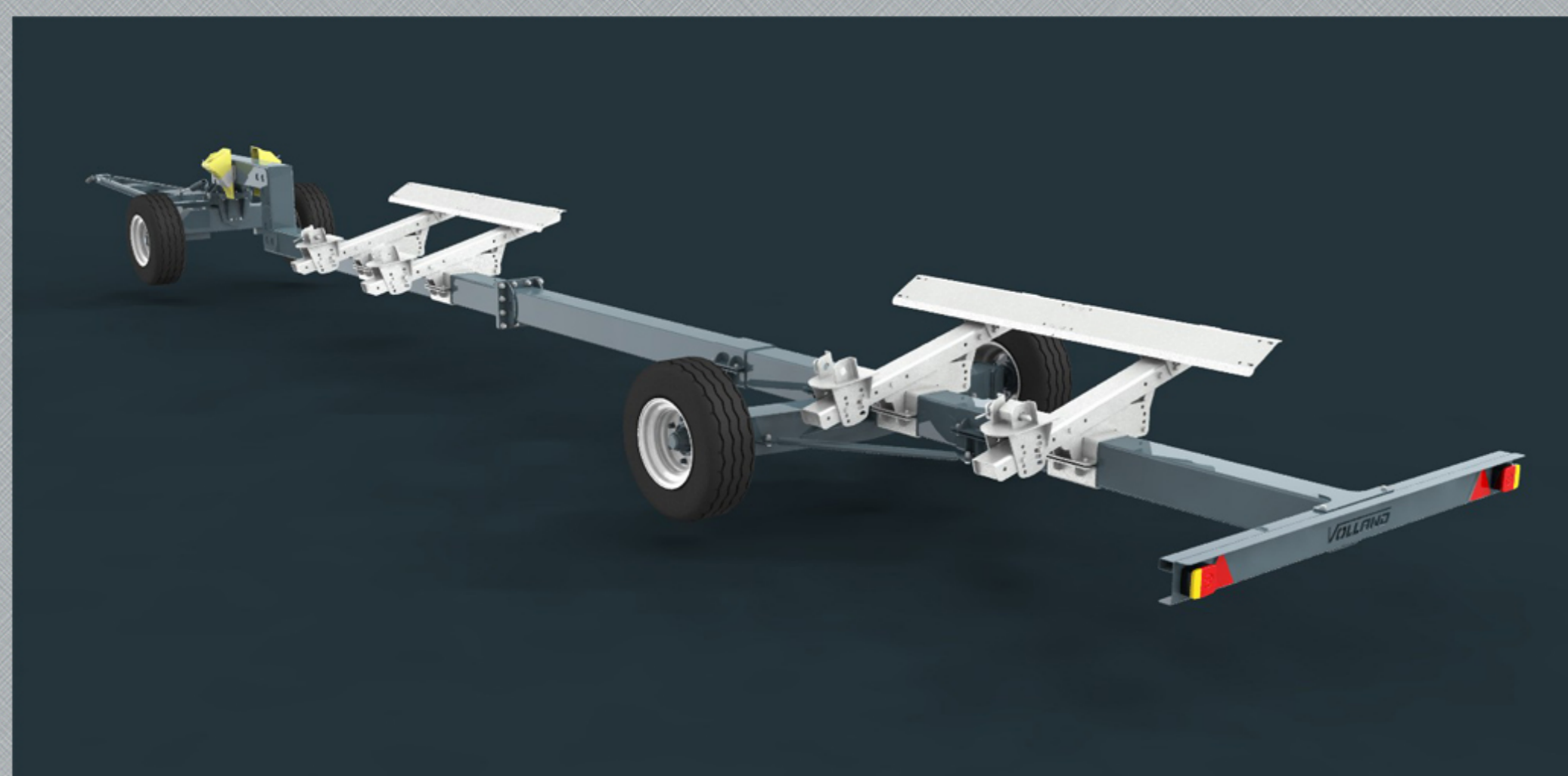
20ft
6,10 m 9.57 m 765 kg 2880kg 25 km/h



Header trailers monoaxle VL25



25 ft
7,62 m 10,37 m 930 kg 4098 kg 25 km/h



Header trailer for two axes VL30



30ft
9,14 m 14.30 m 1586 kg 5810 kg 25 km/h

- light signaling system with 12 V electrical cable that is laid in the middle frame, ensures correct operation of light signaling throughout the life of the header trailer;

- certified towing eye by the Italian manufacturer;

- quality tires with high traffic on any road covering;

- corrosion-resistant coating with impurities of zinc and two-component coating paint

- axles ADR (Italy);

- small turning radius two axes header trailer and low installation height header;

- support for harvesters such Vario;

Additional options:

- zinc coating pillars to support the header;

- LED lights

- underride chocks (set 2 pieces)

- coupling belts additional fixation (set 2 pieces);

* when ordering specify model and type Header for choosing the right fasteners;